

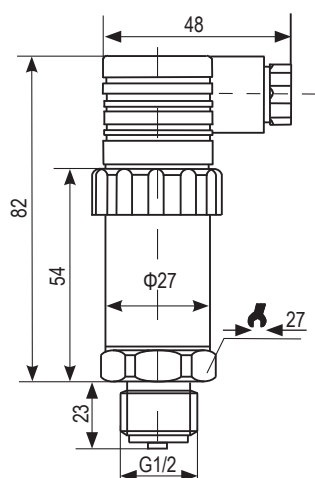


Pressure Transmitter 压力变送器

- Measuring ranges from 0 ... 0,1 bar to 0 ... 1000 bar
- Output signal: 4 ... 20 mA or 0 ... 10 V
- For dynamic or static measurements
- E-connection: L-Plug, M12×1 or cable outlet
- Optimum long-term stability
- Process connection G1/4", 1/4NPT and others

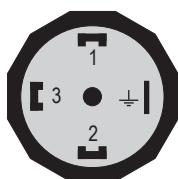
- 测量范围从 0 ... 0,1 bar 到 0 ... 1000 bar
- 输出信号: 4 ... 20 mA 或 0 ... 10 V
- 动态或静态测量
- 电气连接: L-Plug 插头, M12×1 插头或电缆输出
- 最佳长期稳定性
- 过程连接为 G1/4", 1/4NPT 或其他

Drawing / 尺寸图



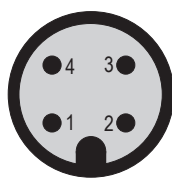
Wiring diagram / 接线图

L-Plug



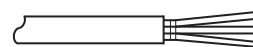
Pin / 针	4 ... 20 mA	0 ... 10 V
1	U _b +	U _b +
2	S+	0 V / S-
3	---	S+
⊥	---	---

M12 × 1



Pin / 针	4 ... 20 mA	0 ... 10 V
1	U _b +	U _b +
2	---	---
3	S+	0 V / S-
4	---	S+

Cable outlet / 电缆出线



Cable / 线缆	4 ... 20 mA	0 ... 10 V
red / 红	U _b +	U _b +
black / 黑	---	0 V / S-
yellow / 黄	S+	S+
white / 白	---	---

Technical Specification / 技术规范								
Pressure range 测量范围	0 ... 0,1	0...0,16	0...0,25	0 ... 0,4	0 ... 0,6	0 ... 1	0 ... 1,6	[bar]
Overload limit 过载极限	≤ 1	≤ 1	≤ 1,75	≤ 1,75	≤ 1,75	≤ 2	≤ 4	[bar]
Pressure range 测量范围	0 ... 2,5	0 ... 4	0 ... 6	0 ... 10	0 ... 16	0 ... 25	0 ... 40	[bar]
Overload limit 过载极限	≤ 7	≤ 14	≤ 14	≤ 20	≤ 40	≤ 70	≤ 140	[bar]
Pressure range 测量范围	0 ... 60	0 ... 100	0 ... 160	0 ... 250	0 ... 400	0 ... 600	0...1000	[bar]
Overload limit 过载极限	≤ 140	≤ 300	≤ 400	≤ 700	≤ 1100	≤ 1100	≤ 1500	[bar]
Measuring principle 测量原理	piezoresistive / 压阻							
Supply voltage 供电电压	8 ... 36							[V DC]
Output signal 输出信号	4 ... 20 mA, 2-wires or 0 ... 10 V, 3-wires 4 ... 20 mA, 2 线制或 0 ... 10 V, 3 线制							
Permitted load 允许载荷	4 ... 20 mA: ≤ (U _b -8V)/0.02A 0 ... 10 V: > 10KΩ							
Current consumption 电流消耗	4 ... 20 mA: ≤ 25 mA 0 ... 10 V: 8 mA							[mA]
Accuracy 精度	≤ ± 0.5、≤ ± 0.25							[%]
Repeat accuracy 重复精度	≤ ± 0.05							[% F.S.]
Compensated temperature range 补偿温度范围	0 ... 70							[°C]
Temperature error zero point 零点温度误差	≤ ± 0.03							[% F.S./K]
Temperature error range 量程温度误差	≤ ± 0.03							[% F.S./K]
Operating temperature 工作温度	-30 ... +100							[°C]
Storage temperature 储存温度	-40 ... +100							[°C]
Ambient temperature 环境温度	-25 ... +85							[°C]
Response time 响应时间	≤ 1							[ms]
Vibration resistance 抗振动性	10g (4 ... 500Hz) sinus acc. to DIN EN 60068-2-6 10g 符合 DIN EN 60068-2-6 在 4 .. 500 Hz							
Shock resistance 抗冲击性	100 g; 11 ms; DIN EN 60068-2-27 100g, 11 ms 符合 DIN EN 60068-2-27							
Housing 外壳材质	Stainless Steel 316L / 不锈钢 316L							
Wetted parts 接触部件	Stainless Steel 316L, Sealing material 不锈钢 316L, 密封材料							
Service life 使用寿命	> 100 million cycles / > 1 亿次循环							
Fitting thread 过程连接	G1/4", G1/2", 1/4NPT, 1/2NPT male thread (others on request) G1/4", G1/2", 1/4NPT, 1/2NPT 外螺纹 (其他按要求提供)							
Electrical connection 电气连接	L-Plug, M12×1 or cable outlet L-Plug 插头、M12×1 插头或电缆出线							
Reverse polarity and short circuit protection 反极性和短路保护	Yes / 带							
Protection degree 防护等级	IP65 using L-Plug / L-Plug 插头为 IP65 IP67 using M12×1 or cable outlet/ M12×1 插头或电缆出线为 IP67							

Series 8321 / 8321 系列

Pressure Transmitter / 压力变送器

aumarg
SENSORS & CONTROLS

Specification key / 规格代码

8321 - - - - - - -

Measuring range / 测量范围	
66	0 ... 0,1 bar
67	0 ... 0,16 bar
68	0 ... 0,25 bar
69	0 ... 0,4 bar
70	0 ... 0,6 bar
71	0 ... 1 bar
72	0 ... 1,6 bar
74	0 ... 2,5 bar
75	0 ... 4 bar
76	0 ... 6 bar
77	0 ... 10 bar
78	0 ... 16 bar
80	0 ... 25 bar
81	0 ... 40 bar
82	0 ... 60 bar
83	0 ... 100 bar
84	0 ... 160 bar
85	0 ... 250 bar
87	0 ... 400 bar
88	0 ... 600 bar
89	0 ... 1000 bar

Accuracy / 精度等级	
25	0,5%
22	0,25%

Options / 选项	
W	without / 无
B	2 m
E	5 m
K	10 m

E-connection / 电气连接	
51	L-Plug EN 175301-803-A / L-Plug 插头
64	M12 ×1 / M12 ×1 插头
71	Cable outlet / 电缆出线

Pressure fitting / 过程连接	
22	G1/4" EN837
12	G1/4" DIN 3852-E
24	G1/2" EN837
14	G1/2" DIN 3852-E
32	1/4NPT
34	1/2NPT

O-ring / 密封圈材质		
N	NBR	-30 ... +80°C
F	FKM / FPM	-20 ... +125°C

Output signal / 输出信号	
19	4 ... 20 mA
17	0 ... 10 V

Sample:

8321-77-25-19-N-24-51-W

Pressure Transmitter
Type: 8321
Measuring range: 0 ... 10 bar
Accuracy: 0,5%
Output signal: 4 ... 20 mA, 2-wires
Power supply: 8 ... 36V DC
Sealing: NBR
Material of housing: stainless steel 316L
Operating temperature: -30 ... +80°C
Pressure fitting: G1/2" EN 837
E-connection: L-Plug acc. to DIN EN 175301-803
Protection type: IP65

举例:

8321-77-25-19-N-24-51-W

压力变送器
型号: 8321
测量范围: 0 ... 10 bar
精度等级: 0,5%
输出信号: 4 ... 20 mA, 2 线制
供电电压: 8 ... 36V DC
密封材质: NBR
本体材质: 不锈钢 316L
介质温度: -30 ... +80°C
过程连接: G1/2" EN837
电气连接: L-Plug 插头
防护等级: IP65