

备件表

Bosch Rexroth AG
Service Hydraulics
Bgm.-Dr.-Nebel-Str. 8
97816 Lohr
Germany

材料编号: 0811404816
图纸: RA51339296
名称: 气动控制阀
4WRPEH 10 C B50P-2X/G24K0/F1M

版本日期: 02/2020

日期: 06.03.2020

页: 1

项号	材料编号	名称	数量	
9899	R961010273	密封套件	1 件	L
		密封套件	10A-MO/BN 2FACH	

L = 组件 D = 密封元件

Security notice:

Assembly, commissioning and operation, disassembly, service (including maintenance and repair) require basic mechanical/electrical/hydraulic/pneumatic knowledge, as well as knowledge of the appropriate technical terms. In order to ensure operating safety, these activities may therefore only be carried out by qualified technical personnel or an instructed person under the direction and supervision of qualified personnel. Qualified personnel are those who can recognize possible hazards and institute the appropriate safety measures due to their professional training, knowledge, and experience, as well as their understanding of the relevant conditions pertaining to the work to be done. Qualified personnel must observe the rules relevant to the subject area. Also observe the generally applicable, legal or otherwise binding regulations of the European or national legislation and the rules for the prevention of accidents and for environmental protection applicable in your country. The data specified above only serve to describe the product. No statements concerning a certain condition or suitability for a certain application can be derived from our information. The given information does not release the user from the obligation of own judgement and verification. It must be remembered that our products are subject to a natural process of wear and aging.

©This document, as well as the data, specifications and other information set forth in it, are the exclusive property of Bosch Rexroth AG. Without their consent it may not be reproduced or given to third parties.

备件表

材料编号: 0811404816
图纸: RA51339296
名称: 气动控制阀
4WRPEH 10 C B50P-2X/G24K0/F1M

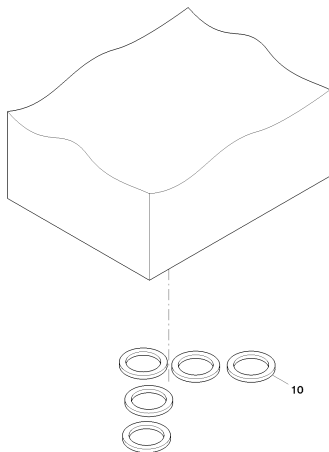
Bosch Rexroth AG
Service Hydraulics
Bgm.-Dr.-Nebel-Str. 8
97816 Lohr
Germany

版本日期: 02/2020

日期: 06.03.2020

页: 2

Zeichnungs-Nr.: RA51339296-AA
Typenschlüssel: Z3D, 10A-/RN



Dichtungssatz für Ventile
der Nenngröße 10 mit Form A nach
ISO4401-05-04-0-05

Seal kit for valve
Size 10 with form A in accordance with
ISO4401-05-04-0-05

L = 组件 D = 密封元件

Security notice:

Assembly, commissioning and operation, disassembly, service (including maintenance and repair) require basic mechanical/electrical/hydraulic/pneumatic knowledge, as well as knowledge of the appropriate technical terms. In order to ensure operating safety, these activities may therefore only be carried out by qualified technical personnel or an instructed person under the direction and supervision of qualified personnel. Qualified personnel are those who can recognize possible hazards and institute the appropriate safety measures due to their professional training, knowledge, and experience, as well as their understanding of the relevant conditions pertaining to the work to be done. Qualified personnel must observe the rules relevant to the subject area. Also observe the generally applicable, legal or otherwise binding regulations of the European or national legislation and the rules for the prevention of accidents and for environmental protection applicable in your country. The data specified above only serve to describe the product. No statements concerning a certain condition or suitability for a certain application can be derived from our information. The given information does not release the user from the obligation of own judgement and verification. It must be remembered that our products are subject to a natural process of wear and aging.

©This document, as well as the data, specifications and other information set forth in it, are the exclusive property of Bosch Rexroth AG. Without their consent it may not be reproduced or given to third parties.

备件表

Bosch Rexroth AG
Service Hydraulics
Bgm.-Dr.-Nebel-Str. 8
97816 Lohr
Germany

材料编号: R961010273
图纸: RA51339296
名称: 密封套件
密封套件 10A-MO/BN 2FACH

版本日期: 02/2020

日期: 06.03.2020

页: 3

项号	材料编号	名称	数量
10		O 形圈	10 件

L = 组件 D = 密封元件

Security notice:

Assembly, commissioning and operation, disassembly, service (including maintenance and repair) require basic mechanical/electrical/hydraulic/pneumatic knowledge, as well as knowledge of the appropriate technical terms. In order to ensure operating safety, these activities may therefore only be carried out by qualified technical personnel or an instructed person under the direction and supervision of qualified personnel. Qualified personnel are those who can recognize possible hazards and institute the appropriate safety measures due to their professional training, knowledge, and experience, as well as their understanding of the relevant conditions pertaining to the work to be done. Qualified personnel must observe the rules relevant to the subject area. Also observe the generally applicable, legal or otherwise binding regulations of the European or national legislation and the rules for the prevention of accidents and for environmental protection applicable in your country. The data specified above only serve to describe the product. No statements concerning a certain condition or suitability for a certain application can be derived from our information. The given information does not release the user from the obligation of own judgement and verification. It must be remembered that our products are subject to a natural process of wear and aging.

©This document, as well as the data, specifications and other information set forth in it, are the exclusive property of Bosch Rexroth AG. Without their consent it may not be reproduced or given to third parties.